

Continuous, multi-function oil condition sensing

- 4 oil condition measurement parameters
- 4-20mA, 0-10v & CAN outputs
- Captures and retains ferrous debris
- Continuous real-time monitoring
- Easy installation
- Low cost of ownership



ANALOGUE OUTPUT

	Voltage	4-20mA
Channel 1 (fine)	0 – 10V DC (configurable)	1mA - 20mA (configurable)
Channel 2 (coarse)	0 – 10V DC (configurable)	1mA - 20mA (configurable)
Channel 3 (oil/temp)	0 – 10V DC (configurable)	1mA - 20mA (configurable)
Error indication	0 – 10V DC (configurable)	1mA - 20mA (configurable)
Optional output inhibit (during zero/span)	0 – 10V DC (configurable)	1mA - 20mA (configurable)

DIGITAL OUTPUT

J1939 data length	8 bytes
PGN	130816
Byte 0	Coarse measurement percentage, no scaling Value 255 – optional output inhibited during calibration
Byte 1	Fine measurement percentage, no scaling Value 255 – optional output inhibited during calibration
Byte 2	8 Status bits Bit 0 - High/low temperature exceeded Bit 1 - Oil upper threshold exceeded Bit 2 - Oil lower threshold exceeded Bit 3 - Fine measurement error Bit 4 - Coarse measurement error Bit 5 - Oil measurement error Bit 6 - Internal temperature sensor error Bit 7 - External temperature sensor error
Byte 3-7	Manufacturer use

ORDERING

Output:	Mounting Thread Code:
045 = 4-20mA	See table overleaf
046 = 0-10V	
047 = CAN	
USB cable = 1000-CO-116	
USB stick = 1000-SW-001	
Conduit kit = 4212-10-051-X	

4212 - PK - -

ELECTRICAL

	Voltage	4-20mA	CAN
Supply voltage	6 - 26V DC	9 - 26V DC	5 - 26V DC
Over voltage protection		>32V DC	
Power consumption	<2.9W	<5.6W	<2.8W
Reverse polarity protection		to -32V DC	
Analogue resolution		10 bit	
Report rate	10Hz	10Hz	1Hz
Sensor configuration		Accessible via USB	

MECHANICAL

Sensor size	57 x ø24.5mm
Display Enclosure	105.5 x 105.5 x 66mm
Enclosure mounting	2 off M6 socket cap screws (not supplied)
Materials (sensor)	Aluminium alloy, FEP, PEI
Materials (enclosure)	Aluminium alloy, st/steel, polyester

LIQUIDS

Fuels	Diesel, gasoline
Oils	Hydraulic, gear, mineral, vegetable, synthetic ester, semi-synthetic, polyalphaolefin, polyalkyleneglycol
Coolants	Ethylene glycol, Water
Other	Salt water

ENVIRONMENTAL

Sensor protection	IP66 / IP68 / IP69k
Enclosure protection	IP65
Differential pressure	10 Bar
Sensor operating temperature	-40° to +150°C
Enclosure operating temperature	-40° to +85°C
Humidity	95% RH @ +55°C

> More information at gillsc.com

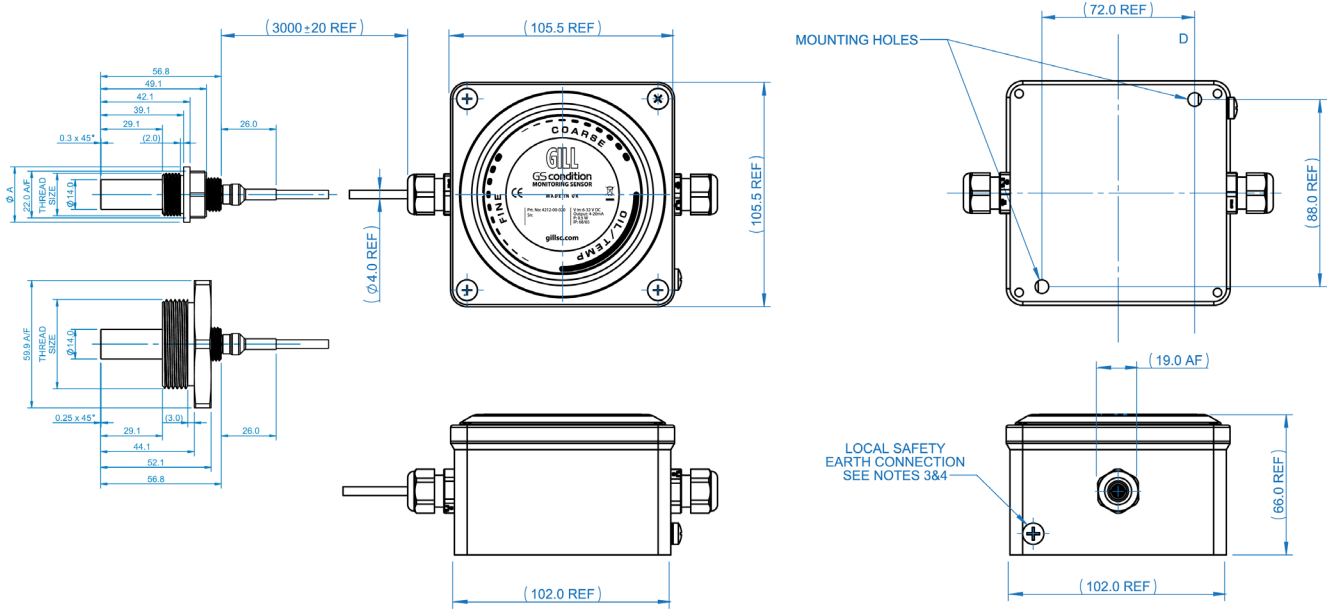
E support@gillsc.com

T +44 (0)1590 613900

GILL

Sensors & Controls

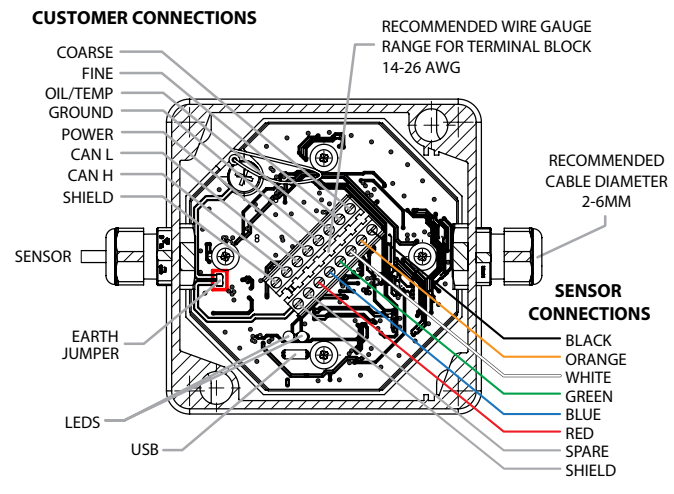
DIMENSIONS



MOUNTING THREADS

Thread Code	Thread Size	Outside Dia A	Spanner A/F	Torque ±10%	Thread Code	Thread Size	Outside Dia	Spanner A/F	Torque ±10%
A	M22 x 1.5	26.0	22.0	50 Nm	N	M42 x 2.0	67.0	60.0	100 Nm
B	M24 x 2.0	26.0	22.0	50 Nm	P	1 1/2" BSPP	67.0	60.0	100 Nm
C	3/4" x 16 UNF	26.0	22.0	50 Nm	Q	1" BSPP	67.0	60.0	100 Nm
D	1/2" BSPP	26.0	22.0	50 Nm	R	1 1/8" 12 UNF	67.0	60.0	100 Nm
E	M20 x 1.5	26.0	22.0	50 Nm	S	1 5/16" 12 UNF	67.0	60.0	100 Nm
F	M25 x 1.5	32.0	22.0	50 Nm					
G	M26 x 1.5	32.0	22.0	50 Nm					
H	M27 x 2.0	32.0	22.0	50 Nm					
J	M30 x 1.5	32.0	22.0	50 Nm					
K	3/4" BSPP	32.0	22.0	50 Nm					
L	1" UNF	32.0	22.0	50 Nm					

CONNECTIONS



CONDUIT KIT

