

SAFETY GATE

TYPE B



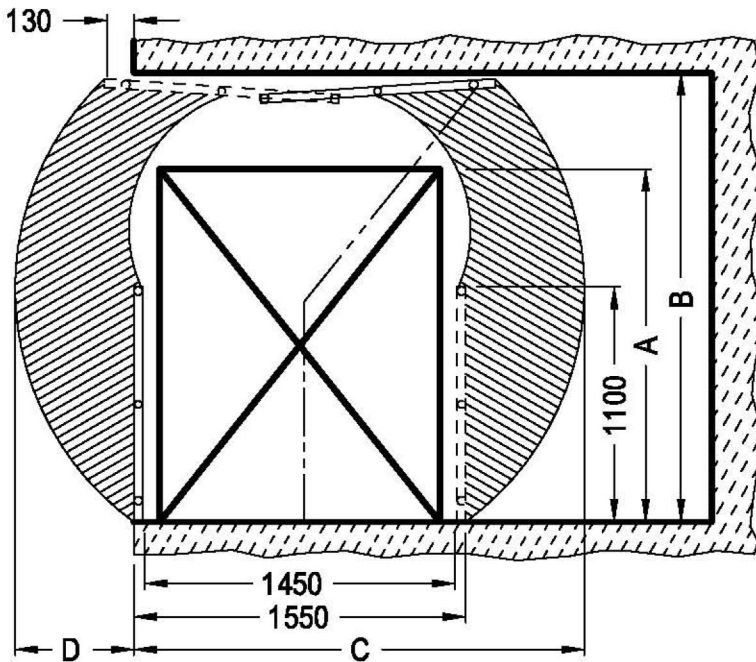
TRIAX develops a large range of safety gates completely conform with safety standards and the ergonomics of different workstations. The objective is to guarantee safeguard and perimeter protection for handling loads on different levels and heights.



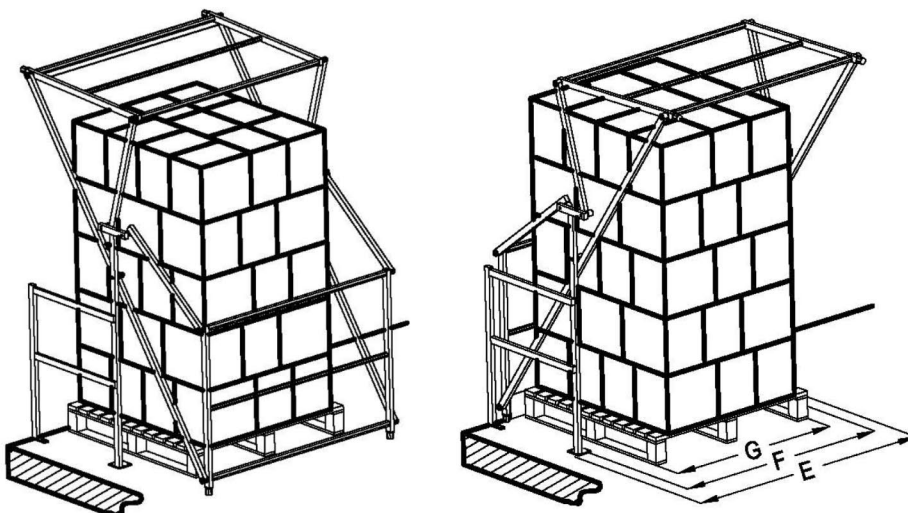
TECHNICAL SPECIFICATION

SAFETY GATE TYPE B

TYPE	SPACE REQUIREMENTS (mm)			
	LOAD HEIGHT A	CLEAR HEIGHT UNDER ROOF B	SAFETY GATE IN OPERATION	
			DEPTH C	PROTRUDING PART D
B1	1650	2100	2105	555
B2	2000	2400	2225	675
B3	2350	2650	2325	775



INSIDE WIDTH E	MAXIMUM USABLE WITH F	RECOMMENDED LOAD WIDTH G
1700	1480	1200
2100	1880	1600
2500	2280	2000
3100	2880	2600



- Useful depth of loads: 1350 mm (others on request).
- Useful height of loads: 1650/2000/2350 mm (others on request).
- Useful width of loads: on request.
- Finishing RAL 1021 (others on request: RAL, stainless steel, metallization,...).
- TÜV-certified.

TRIAx

Z.A. - 67 rue des Vignes
F-45240 MARCILLY EN VILLETTE

☎ +33 (0)2 38 76 12 00

@ triax@trias-securite.com

🌐 www.triax-securite.com